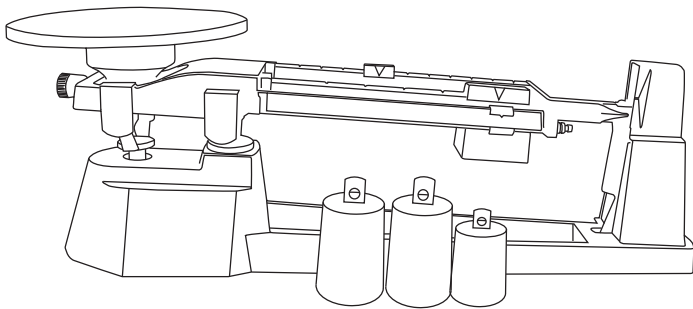




TRIPLE BEAM BALANCE

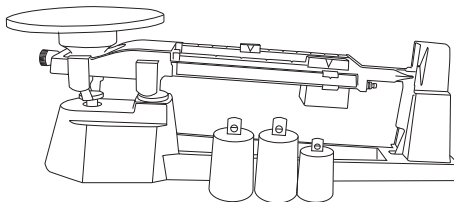


USER MANUAL

TRIPLE BEAM BALANCE



ENGLISH



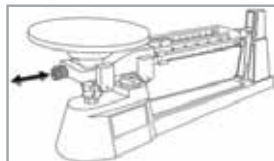
Capacity
2610g x 0.1g

Thank you for purchasing the My Weigh® TRIPLE BEAM BALANCE. Please read all operating instructions carefully before use. This balance is a precision instrument. With normal care and proper treatment, it will provide years of reliable service. For more information please visit www.myweigh.com.

Never load the balance with more than the maximum capacity. Although the TRIPLE BEAM BALANCE is designed to be extremely durable, overloading will permanently damage it! Avoid any exposure to extreme heat or cold, your balance works better when operated at normal room temperature. Keep your scale in a clean environment. Dust, dirt, moisture, vibration and air currents can all cause an adverse effect on the reliability and accuracy of your scale. Handle with care. Gently apply all items to be weighed onto the platform. Avoid shaking, dropping or otherwise shocking the balance. Failure to follow these instructions will void your warranty.

PRECAUTIONS WHEN USING THE BALANCE

1. The balance must be in an exact horizontal position in order to achieve accurate measurement results.
2. Zero the balance each time before weighing.
 - a) Slide all the riders back to the zero point.
 - b) Make sure the pointer swings freely.
 - c) Use the adjusting knob if necessary to obtain zero.
3. Items should always be placed on the center of the platform when being weighed.
4. Keep the balance clean at all times.
5. Never apply lubricants to the moving parts or bearings.



OPERATION INSTRUCTIONS

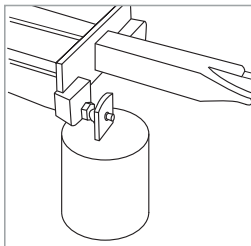
The overall idea in learning how to use a Triple Beam Balance is that, when the mass on the balance's platform is equal to the mass represented by the sliding weights on the three beams - the indicator on the right side will point exactly to the mark in the middle (ZERO).

Weighing Procedures

1. Make sure the scale is at Zero.
2. Place the objects on the weighing platform to weigh.
3. Start with the largest capacity sliding weight (500g) and move it to the right one notch at a time and notice the pointer dropping. Move to the left and it will rise again.
4. Repeat this process with the (100g) weight and (10g) weight until the pointer rests at zero.
5. The weight of the object on the platform is the sum of all 3 values.

Weight Attachments

The balance comes with a 3 weight set, which are used to extend the weighing capacity of triple beam balance from 610g to 2610g. Simply attach the desired weights to the points which are designed to hold the weights steady during weighing and continue weighing as normal.

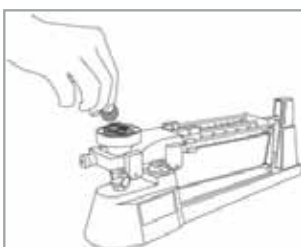
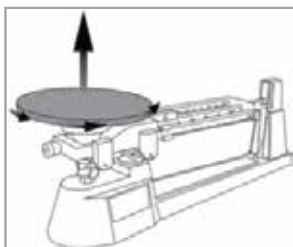


TROUBLESHOOTING

The Balance Won't Zero

Sometimes in transit the balance may become unbalanced and when using the adjusting knob you are unable to obtain zero. If this happens please note you can manually add or remove weights to the "Balance Cup". The Balance cup is located underneath the weighing platform. Simply unscrew the platform to access the Balance Cup and add or remove the necessary weights.

NOTE: If you are trying to compensate for a bowl or container, you can remove the weights that are equal to the weight of the bowl from the cup, until the balance is in zero.



SPECIFICATIONS

Capacity	2610g x 0.1g	Units	grams
Scale dimension	447mm x 160mm x 152 mm / 17.6" x 6.8" x 6"		
Tray dimension	Ø 150mm / 6"		

