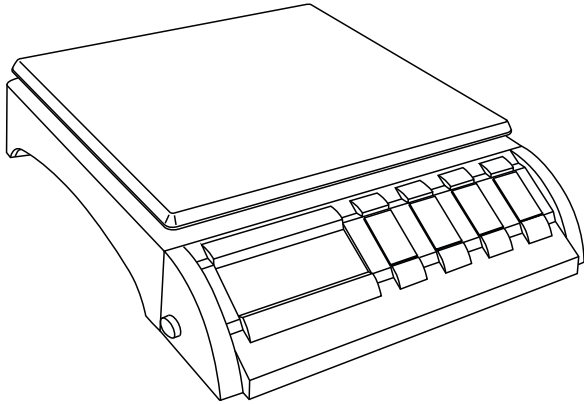




ULTRASHIP[®]-R1



USER MANUAL

ULTRASHIP®-R1

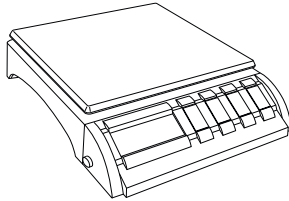


CAPACITIES

0-1kg x 1g / 1-18kg x 5g
0-2lb x 0.1oz / 2-40lb x 0.2oz

0-1kg x 2g / 1-27kg x 5g
0-2lb x 0.1oz / 2-60lb x 0.2oz

0-2kg x 5g / 2-36kg x 10g
0-4lb x 0.2oz / 4-80lb x 0.5oz



ENGLISH



Thank you for purchasing the My Weigh® UltraShip®- R1 digital scale. Please read all operating instructions carefully before use. This electronic scale is a precision instrument. With normal care and proper treatment, it will provide years of reliable service. For more information please visit www.myweigh.com

Never load the scale with more than the maximal capacity. Although the UltraShip®-R1 is designed to be extremely durable with extra overload protection built into the case, overloading will permanently damage it! Avoid any exposure to extreme heat or cold, your scale works better when operated at normal room temperature. Keep your scale in a clean environment. Dust, dirt, moisture, vibration, air currents and/or a close proximity to other electronic equipment can all cause an adverse effect on the reliability and accuracy of your scale. Handle with care. Gently apply all items to be weighed onto tray top. Avoid shaking, dropping or otherwise shocking the scale. Scales are delicate instruments and unlike cellular phones, scales have delicate sensors that determine how much an item weighs. If you drop or shock your scale, these sensors "feel" the shock and are sometimes destroyed. This happens with all digital scales. We design our scales to be as resistant to shock or drops as possible, however there is no way for us to protect 100% against load cell or sensor damage.

Failure to follow these instructions will void your warranty.

Always allow the scale to acclimate to normal room temperature for at least one hour before use. Give your scale sufficient warm up time. Usually 30-60 seconds before calibration to give the internal components a chance to stabilize

BATTERIES

Low Batteries & bad battery connections are the #1 cause of scale malfunction and inaccuracy! We test all of our scale returns from consumers and 60% of them are battery related problems. This sounds silly but it's true! A scale will perform poorly when it has low batteries. Use good quality batteries & replace them often (Remove the batteries if you plan to store the scale for longer then 14 days). If your scale simply won't turn on while on battery power, it is often caused by loose battery connections. Battery prongs (terminals) are made of metal and they have to be in contact with the batteries. You can use a paperclip to slightly bend the battery prongs to have a better connection. Some poorly designed batteries have recessed or partially obstructed battery terminals. This may cause your prongs to be touching the plastic housing of the battery instead of the metal of the battery terminal.

Battery installation

- Press and lift open the battery cover located at the bottom of the unit.
- Insert the batteries and make sure the polarity is correct (+) and (-).
- Close the battery cover until it clicks shut.

Note : It is time to replace the battery if the display shows "Lo" when powered on and then it will turn off automatically.

OPERATION INSTRUCTIONS

Weighing Procedures

1. Press [**ON**] to turn on the scale. When the power is turned on, the scale will countdown for a few seconds and "0" will appear on the display.

2. Select the weighing unit with [UNIT] key. Press [UNIT] to select a weighing unit g, kg, oz, lb, lb:oz. Once the unit has been selected, the selected unit will be displayed next to the weight value.

3. Start weighing

Verify the reading is "0". Place objects on the weighing platform to weigh. When the reading becomes stable, the stable indicator is displayed.

TARE

Tare can be used for eliminating the weight value of an empty container. Place an empty container on the scale and press [TARE/ZERO]. Then place the items to be weighed in the container. NOTE: When all weight is removed from the weighing tray, the tared value of a container will be displayed as a negative number. Press [TARE/ZERO] again to return the scale to zero.

CALIBRATION

Calibration may be required when the scale is first set up for use, or if the scale is moved to a different altitude or new location. This is necessary because the weight of a mass in one location is not necessarily the same in another location. Also, with time and use, mechanical deviations can occur.

1. Turn the scale OFF and place it on a flat, very stable surface.
2. Press and hold both [UNIT] and [**ON**] to turn on the scale and then release the keys, wait for the display to show "CL.xx"(xx number is the required calibration weight), you can press the [UNIT] key to change the calibration unit between "Lb" and "kg".
3. Press the [HOLD] key to change the value of ten digit, and press the [TARE/ZERO] key to change the value of units digit, and then press the [**ON**] key to confirm the calibration weight. The display will flash "CL.xx". If the required weight is too small or over the range, it will display "Err".
4. Place the calibration weight(s) needed on the center of the tray, then press [TARE/ZERO]. The display will show "CAL", and then the display will show "PASS". Calibration is complete. After a few seconds, the scale will return to normal weighing mode. Remove the weight from the tray and turn the scale Off.

FEATURES

Overload Indicator

When the display shows "O_LD", this indicates an overload. Remove excessive load immediately.

Remember: you can permanently damage the scale and void your warranty by overloading it!

Negative Value

Any tared value will be displayed as a negative number once all weight is removed, press [TARE / ZERO] to re-zero the scale.

Auto Off/ Backlight Setting

An auto shut off feature is provided to conserve battery power. The scale will automatically turn off after 2 minutes of inactivity.

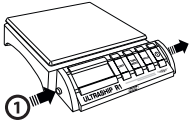
To adjust the auto off & backlight settings follow these instructions:

1. Press and hold [HOLD] and power on the scale with [**ON**], then release both keys.
2. The display will now show "oFF 0" (auto-off disabled), "oFF 1" (automatic turn off after about 2 minutes - Default setting), or oFF 2" (automatic turn off after about 5 minutes. Press [HOLD] to toggle and [TARE/ZERO] to confirm and enter backlight settings.
3. The display will now show "BL 0" (backlight disabled), "BL 1" (backlight always on - Default setting), or "BL 2" (backlight automatically turns on when scale is in use). Press [HOLD] to toggle the settings.
4. Press [TARE/ZERO] to confirm your selection. The scale will now return to normal weighing mode.

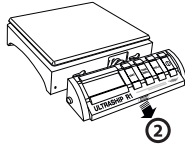
Hold

Press the [HOLD] to hold current weight reading, press [HOLD] again to cancel.

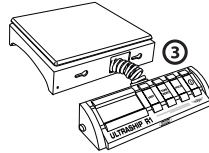
REMOVABLE DISPLAY OPERATION



1- Push the release button and slide the panel to the right



2- Pull the panel towards you



3- The the display is separated and ready to use.

DISPLAY SYMBOLS

	Hold Indicator
	Stability Indicator
	Scale is in TARE / ZERO mode
	Low Battery
	Overload

SPECIFICATIONS

Units	kg, g, lb:oz, lb
Auto-OFF	0-5 minutes
Scale dimension	228mm x 205mm x 71mm
Tray dimension	188mm x 178mm x 9mm
Scale weight	950g
Operating temperature	Optimum 10-40°C (50-104°F)
Power Source	6 x AA Batteries - Adapter 5V-9V/100mA
Tare Range	Up to scales maximum capacity



www.myweigh.com