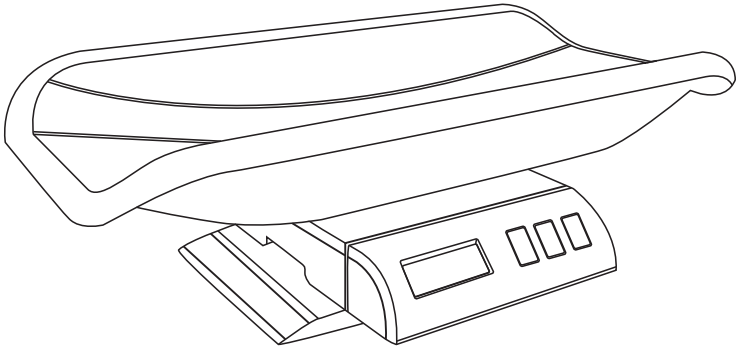




ULTRABABY SCALE

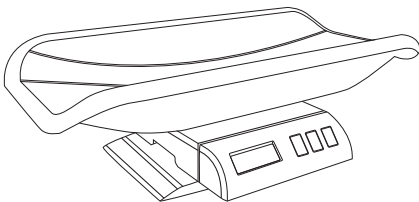


USER MANUAL

ULTRABABY SCALE



ENGLISH



Capacity
25kg / 55lb

Thank you for purchasing the My Weigh® Ultrababy Scale. Please read all operating instructions carefully before use. This electronic scale is a precision instrument. With normal care and proper treatment, it will provide years of reliable service. For more information please visit www.myweigh.com

Never load the scale with more than the maximal capacity. Although the My Weigh® Ultrababy Scale is designed to be extremely durable with extra overload protection built into the case, overloading will permanently damage it! Avoid any exposure to extreme heat or cold, your scale works better when operated at normal room temperature. Keep your scale in a clean environment. Dust, dirt, moisture, vibration, air currents and/or a close proximity to other electronic equipment can all cause an adverse effect on the reliability and accuracy of your scale. Handle with care. Gently apply all items to be weighed onto tray top. Avoid shaking, dropping or otherwise shocking the scale. Scales are delicate instruments and unlike cellular phones, scales have delicate sensors that determine how much an item weighs. If you drop or shock your scale, these sensors "feel" the shock and are sometimes destroyed. This happens with all digital scales. We design our scales to be as resistant to shock or drops as possible, however there is no way for us to protect 100% against load cell or sensor damage. Failure to follow these instructions will void your warranty.

Always allow the scale to acclimate to normal room temperature for at least one hour before use. Give your scale sufficient warm up time. Usually 30-60 seconds before calibration to give the internal components a chance to stabilize.

BATTERIES

Low Batteries & bad battery connections are the #1 cause of scale malfunction and inaccuracy! We test all of our scale returns from consumers and 60% of them are battery related problems. This sounds silly but it's true! A scale will perform poorly when it has low batteries. Use good quality batteries & replace them often (Remove the batteries if you plan to store the scale for longer than 14 days). If your scale simply won't turn on while on battery power, it is often caused by loose battery connections. Battery prongs (terminals) are made of metal and they have to be in contact with the batteries. Some poorly designed batteries have recessed or partially obstructed battery terminals. This may cause your prongs to be touching the plastic housing of the battery instead of the metal of the battery terminal.

Battery installation

- Press and lift open the battery cover located at the bottom of the unit.
- Insert the batteries and make sure the polarity is correct (+) and (-).
- Close the battery cover until it clicks shut.

Note: If the battery symbol appears in the display, it means low battery power. It is time to replace the battery. If the power is too low, it will show "Lo" when powered on and then it will turn off automatically.

OPERATION INSTRUCTIONS

Weighing Procedures

- Press [ON/OFF] to turn on the scale.
When the power is turned on, the scale will countdown for a few seconds and "0" will appear on the display.
- Select the weighing unit with [UNIT] key (On the right side of display). Press [UNIT] to select a weighing unit g, lb:oz, kg, lb, oz.
Once the unit has been selected, the selected unit will be displayed next to the weight value.
- Start weighing
Verify the reading is "0". Place objects on the weighing platform to weigh. When the reading becomes stable, the stable indicator is displayed.

TARE

Tare can be used for eliminating the weight value of an empty container. Place an empty container on the scale and press [TARE/ZERO]. Then place the items to be weighed in the container.

NOTE: When all weight is removed from the weighing tray, the tared value of a container will be displayed as a negative number. Press [TARE/ZERO] again to return the scale to zero.

CALIBRATION

Calibration may be required when the scale is first set up for use, or if the scale is moved to a different altitude or new location. This is necessary because the weight of a mass in one location is not necessarily the same in another location. Also, with time and use, mechanical deviations can occur.

How to calibrate: **you must have an accurate 10kg weight or combination of weights in order to calibrate**

1. From the off setting press & hold the [UNIT] button, then press the [ON/OFF] button until the display shows CAL and the AD value (a series of random numbers).
2. Press [UNIT] again, the display will show "-----" and the correct calibration weight will flash in the display.
3. Place the correct calibration weight on the platform. Press the [UNIT] button and then the display will show "-----" and the AD value (a series of random numbers).
4. Turn the scale off & on. The calibration process is complete.

FEATURES

Power Up Segment Test

When first turning the unit on, the scale will run a quick diagnostic and it will display a countdown . This display will remain for a few seconds and then reset to zero.

Overload Indicator

When the display shows "Errr-0", this indicates an overload. Remove excessive load immediately. Remember: you can permanently damage the scale and void your warranty by overloading it!

Negative Value

Any tared value will be displayed as a negative number once all weight is removed, press [TARE/ZERO] to re-zero the scale.

Auto Off/ Backlight Setting

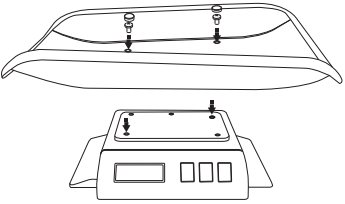


An auto shut off feature is provided to conserve battery power. The scale will automatically turn off after 60 seconds of inactivity.

To turn off/on the auto off & backlight follow these instructions:

1. Press and hold [TARE/ZERO] and power on the scale with [ON/OFF], then release both keys.
2. The display will show A-ON (Auto off enabled) or A-OFF (Auto-Off disabled). Press [TARE/ZERO] to toggle and [UNIT] to confirm.
3. Press [UNIT], the display will show L-ON (backlight enabled) or L-OFF (backlight disabled). Press [TARE/ZERO] to toggle.
4. Turn the scale off to confirm your settings.

Hold

Press the [HOLD] to hold current weight reading, press [HOLD] again to cancel.

TRAY REMOVAL & INSTALLATION	DISPLAY SYMBOLS
	<ul style="list-style-type: none">-0- Scale is in ZERO mode Battery is low Current reading is stable

SPECIFICATIONS			
Capacity	25kg / 55lb	Units	g, lb:oz, kg, lb, oz
Auto-OFF		60 seconds	
Scale dimension		228 mm x 205mm x 75mm (9" x 8" x 3")	
Tray dimension		160mm x 200mm x 12mm (6" x 8" x 0.5")	
Cradle dimension		590mm x 300mm x 85mm (23" x 12" x 3")	
Scale weight		1.5kg	
Operating temperature		Optimum 10-40°C (50-104°F)	
Power Source		4 x C Batteries	
Tare Range		Up to scales maximum capacity	

