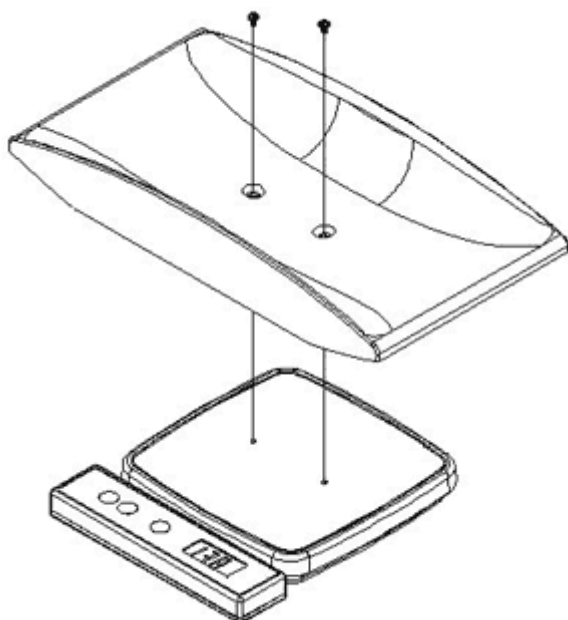


MBS-2010 Baby Scale Manual



Low Batteries & Faulty AC Adaptors are the #1 cause of scale malfunction and inaccuracy! We test all of our scale returns from consumers. Fully 60% of consumer returns are simply dead or low batteries. This sounds silly but it's true! A scale will perform slowly, or read inaccurately when it has low batteries. Please replace the batteries often (and only use good quality batteries). We include good quality batteries with all of our scales but batteries can run low in storage. A Faulty AC adaptor can cause your scale to act unstable with numbers "jumping" all around. Please test your scale with a good set of batteries (instead of the AC adaptor) to determine if perhaps the AC adaptor is faulty.

1. Install 9V Alkaline Battery into battery compartment or connect with an AC Adapter

To install the battery, remove the battery cover on the underside of the scale. Install a 9volt battery and push the connector firmly onto the battery terminals. Reinstall the cover. To use the optional AC adapter, Plug the AC adapter into the jack on the right side of the scale.

The scale has an Auto-off feature that will turn the scale OFF after a few minutes of inactivity to conserve power.

2. The Process of Weighing

- A. Install the tray onto the scale with its 2 screws (if you need the tray).
- B. Press the "ON/ OFF/TARE" button.
- C. The display will momentarily show "8888".

- D. Wait until the display shows "0.00".
 - E. The scale is now ready for weighing.
 - F. Put the baby on the scale.
 - G. Wait till the display stabilizes.
 - H. The display shows the baby's weight.
 - I. Press "ON/OFF/TARE" button and hold for 2 seconds to switch the scale off.
 - J. If weighing has been completed and the weight on the scale has not changed for 30 seconds, the scale will automatically switch off , to save battery life.
3. **To Convert Weight Units** (Kilograms or Pounds/Ounces or Stones/Pounds)
Some models read Stones/Pounds. This is a UK Standard whereas 1 Stone = 14lb. Press the KG/LB button to convert between LB/OZ and KG units. This can be done at any time during weighing. **IMPORTANT:** The scale will default to the last weight unit used. *The display will notate "KG" or "LB" to tell you which mode the scale is in (USA version only).
4. **Use of the HOLD button**
- A. Due to the baby's constant movement on the tray, the displayed weight may be hard to read. It may constantly change. This is when the HOLD function is used.
 - B. Press "HOLD" button
 - C. The display shows "hold" and calculates the average from the various weight readings.
 - D. The value on the display will be fixed, and in the upper left corner a mark ' ' ' will flash.
 - E. Press "HOLD" again and the display will show the updated weight.
 - F. Press "ON/OFF/TARE" to turn off the scale.
5. **Technical details**
Max capacity: 20Kg/44lb - Graduation: 10g/0.5oz
It is important to avoid overloading the scale (don't exceed the capacity)
6. **Assembly of Baby Tray**
When weighing a baby, assemble the baby tray according to the illustration above. Be certain to fasten the screws tightly and securely. **The Tray must be screwed down tight and securely or injury can occur!**
7. **Weighing at older Ages**
If the child can stand safely, You can remove the baby tray to allow the child to stand on the

scale. Keep the screws for future use. Turn the scale on and wait until the display shows 0.00. Then the child can step on the scale's platform for weighing.