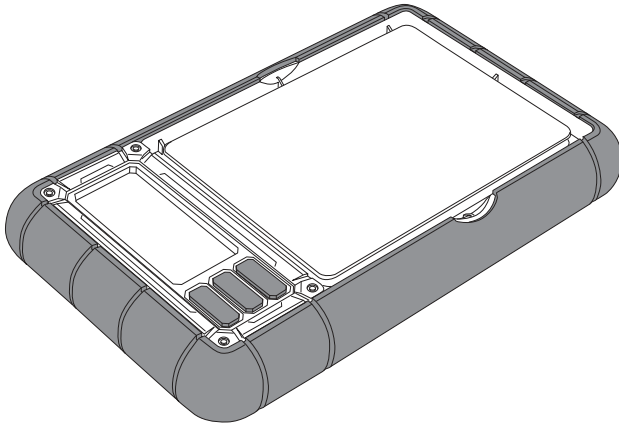


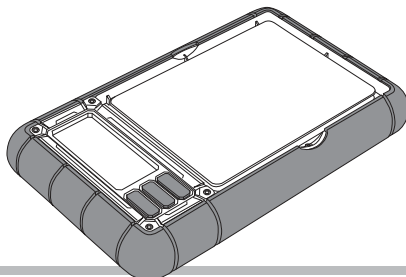


# DURASCALE® D2™



## USER MANUAL

# DURASCALE® D2™



ENGLISH

## USER MANUAL

---

Thank you for purchasing the My Weigh® Durascale® D2™ digital pocket scale. Please read all operating instructions carefully before use. This electronic scale is a precision instrument. With normal care and proper treatment, it will provide years of reliable service. For more information please visit [www.myweigh.com](http://www.myweigh.com)

Never load the scale with more than the maximum capacity. Although the Durascale® D2™ is designed to be extremely durable with extra overload protection built into the case, overloading will permanently damage it! Avoid any exposure to extreme heat or cold, your scale works better when operated at normal room temperature. Keep your scale in a clean environment. Dust, dirt, moisture, vibration, air currents and/or a close proximity to other electronic equipment can all cause an adverse effect on the reliability and accuracy of your scale. Handle with care. Gently apply all items to be weighed onto tray top. Avoid shaking, dropping or otherwise shocking the scale. Scales are delicate instruments and unlike cellular phones, scales have delicate sensors that determine how much an item weighs. If you drop or shock your scale, these sensors “feel” the shock and are sometimes destroyed. This happens with all digital scales. We design our scales to be as resistant to shock or drops as possible, however there is no way for us to protect 100% against load cell or sensor damage.

Failure to follow these instructions will void your warranty.

Always allow the scale to acclimate to normal room temperature for at least one hour before use. Give your scale sufficient warm up time. Usually 30-60 seconds before calibration to give the internal components a chance to stabilize.

## PRECAUTIONS BEFORE USING THE BALANCE

---

1. Do not overload the scale in order to protect the sensor from damages.
2. Items should always be placed on the center of the platform when being weighed.
3. Do not drop or shock the scale.
4. Clean the scale with a damp cloth, DO NOT immerse the scale in water or use chemical/abrasive cleaning agents.

## BATTERIES

---

Low Batteries & bad battery connections are the #1 cause of scale malfunction and inaccuracy! We test all of our scale returns from consumers and 60% of them are battery related problems. This sounds silly but it's true! A scale will perform poorly when it has low batteries. Use good quality batteries & replace them often ( Remove the batteries if you plan to store the scale for longer than 14 days). We include good quality batteries with all of our scales but they can run low in storage. If your scale simply won't turn on while on battery power, it is often caused by loose battery connections.


### Battery installation

- a) Press and lift open the battery cover located at the bottom of the unit.
- b) Insert the batteries and make sure the polarity is correct.
- c) Close the battery cover until it clicks shut.

## OPERATION INSTRUCTIONS

---

### Weighing Procedures

1. Press [  ] to turn on or off the scale.
2. Press [ **M** ] to select a weighing unit g, oz , gn,ct, ozt, dwt
3. Start weighing

### Tare

Tare can be used for eliminating the weight value of an empty container. Place an empty container on the scale and press [ **T** ]. After 3 seconds place the items to be weighed in the container. NOTE: When all weight is removed from the weighing tray, the tared value of a container will be displayed as a negative number. Press [ **T** ] again to return the scale to zero.

## TROUBLESHOOTING

---

1. If the Display ever becomes locked showing "Out2", please recalibrate the scale as outlined in the manual.
2. If the Display ever becomes locked on "LLLLL", or "EEEE", this indicates that the scale was shocked, dropped or otherwise damaged and the delicate weighing sensors have been damaged. You can try recalibrating the scale. Otherwise you will have to follow the warranty instructions that came with your scale.
3. If the display becomes locked on "8888", this often indicates low batteries. However sometimes it also may indicate a serious zero mark error. This means when you turn the scale on, it can't determine what zero is (a slight zero mark error will cause situation #2 above) Thus, if new batteries do not fix this error the scale will have to be sent to us for replacement under our warranty program.
4. If the display shows "UNST", this means the scale is not stable. Please try operating the scale on a more stable surface and be sure nothing is on the tray or stuck under the tray when you turn it on. If this situation persists, it may be an indication of fatal load cell damage. Try calibrating the scale - if this does not work please follow the warranty instructions.

## CALIBRATION

---


When to calibrate - calibration is recommended for best results. Calibration may be required when the scale is first set up for use, or if the scale is moved to a different altitude or new location. This is necessary because the weight of a mass in one location is not necessarily the same in another location. Also, with time and use, mechanical deviations can occur.

Please choose the correct calibration weight to calibrate the following scales:


DURASCALE D2-300 (300gx0.01g) calibrated with a 200g weight

DURASCALE D2-660 (660gx0.1g) calibrated with a 500g weight

### Calibration Procedure for D2-300

- 1) Turn the scale OFF and Place the scale on a Flat, very stable surface (Be certain the scale is OFF)
- 2) Press the [  ] key, the display will show "0.00".
- 3) Press and hold the [ **M** ] KEY for 5 seconds, the display will show "CAL".
- 4) Press [ **M** ] again, the display will show "200.00g".
- 4) Gently place the 200g weight on the tray and wait 3 seconds.
- 5) The display will show "PASS". Calibration is complete. Gently remove the weight and turn the scale off.

### Calibration Procedure for D2-660

- 1) Turn the scale OFF and Place the scale on a Flat, very stable surface (Be certain the scale is OFF)
- 2) Press the [  ] key, the display will show "0.0".
- 3) Press and hold the [ **M** ] KEY for 5 seconds, the display will show "CAL".
- 4) Press [ **M** ] again, the display will show "500.0g".
- 4) Gently place the 500g weight on the tray and wait 3 seconds.
- 5) The display will show "PASS". Calibration is complete. Gently remove the weight and turn the scale off

## FEATURES

---

### Power Up Segment Test

When first turning the unit on, the scale will run a quick diagnostic and it will display a countdown . This display will remain for a few seconds and then reset to zero.

### Overload indicator

When the display shows "O\_LD", this indicates an overload. Remove excessive load immediately.

Remember: you can permanently damage the scale and void your warranty by overloading it!

### Negative Value

Any tared value will be displayed as a negative number once all weight is removed, press [ **T** ] to re-zero the scale.

## Auto off

An auto off feature is provided to conserve battery power. The unit will automatically turn off after 60 seconds of inactivity.

## Rubber bumper

The rubber bumper is designed to protect the scale from bumps & shocks. If desired, it can be removed easily when you begin to operate the scale.

## Expansion Tray/Cover

The protective cover of the Durascale® is designed to also be used as a platform expansion tray. Simply remove the cover, turn it upside-down, and place it on the scale's weighing platform. Now turn the scale ON and the scale will automatically TARE (zero) itself with the tray on the scale. (if this does not work properly, you can turn the scale ON, then place the upside down cover on the tray and press the TARE key) This is perfect for weighing loose objects, gunpowder, gems, Chinese herbs and more. Please keep the protective cover installed when the scale is not in use (it will help protect the scale from possible damage)

<b>Capacities</b>	660g x 0.1g 300g x 0.01g	<b>Units</b>	g, oz, ozt, dwt, gn,ct
<b>Auto-OFF</b>	60 sec.		
<b>Scale dimension</b>	124mm x 75mm x 19mm		
<b>Tray dimension</b>	53.5mm x 75mm		
<b>Net/gross weight</b>	130g		
<b>Operating temperature</b>	Optimum 10-30°C (50-86°F)		
<b>Power Source</b>	2 x AAA alkaline batteries		



[www.myweigh.com](http://www.myweigh.com)

